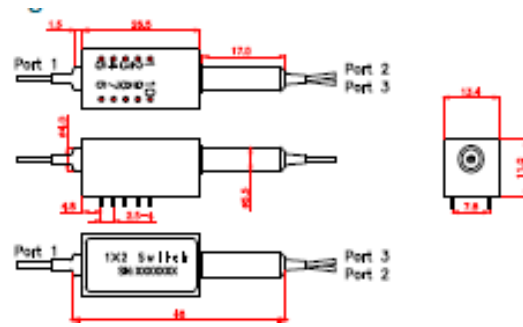




PM Optical Switch (1x1, 1x2)



Features

- ◆ Wide attenuation range
- ◆ High precision
- ◆ Low original loss
- ◆ Compact size

Applications

- ◆ Configurable OADM
- ◆ Optical Cross and connector system
- ◆ Polarization maintaining optical system

Performance Specifications

Parameter	PM Optical Switch
Type	1X1,1X2
Operating Wavelength(nm)	1064,1310,1480,1550
Bandwidth (nm)	±30
Typ. Insertion Loss(dB)@23°C	0.4
Insertion Loss(dB)	≤0.5
Extinction Ratio (dB)	≥20
Cross Talk(dB)	≥55
Return Loss(dB)	≥55
Repeatability (dB)	≤±0.05
Switch Time (ms)	10
Lifetime (cycle)	>1,000,000
Switch mode	Latching or Non-latching
Work Current (mA)	≤50
Drive Voltage (V)	5 ±0.5 DC or 5V Pulse
Fiber Type	PM Panda Fiber
Operating temperature(°C)	-5~+70
Storage temperature(°C)	-40~+85
Dimension (mm)	(L)26.5×(W)13.4×(H)11

*Above specifications are for device without connector.

*For devices with connectors, IL will be 0.3dB higher, RL will be 5dB lower and ER will be 2dB lower.

Electrical Drive

Optical Path	Electrical Drive		Status Sensor					
	Pin1	Pin10	Pin5	Pin6	Pin2-3	Pin3-4	Pin7-8	Pin8-9
1-2	+V Pluse	GND	N/A	N/A	OPEN	CLOSE	CLOSE	OPEN
1-3	GND	+V Pluse	N/A	N/A	CLOSE	OPEN	OPEN	CLOSE

Order information

PMFSW--①①-②③-④④-⑤⑤-⑥⑥-⑦⑦

①①	②	③	④④	⑤⑤	⑥⑥	⑦⑦
Fiber Type	Type	Switch Type	Test Wavelength	Fiber Diameter	Fiber Length	Connector
1:PM fiber X:Others	1:1x1 2:1x2	L: Latching N:Non-latching	64: 1064nm 31: 1310nm 55: 1550nm XX:Others	25:250um 90:900um XX: Others	05:0.5m 10:1.0m 15:1.5m XX:Others	00:None FP: FC/PC FA: FC/APC SP: SC/PC SA: SC/APC LP: LC/PC LA: LC/APC XX: Others