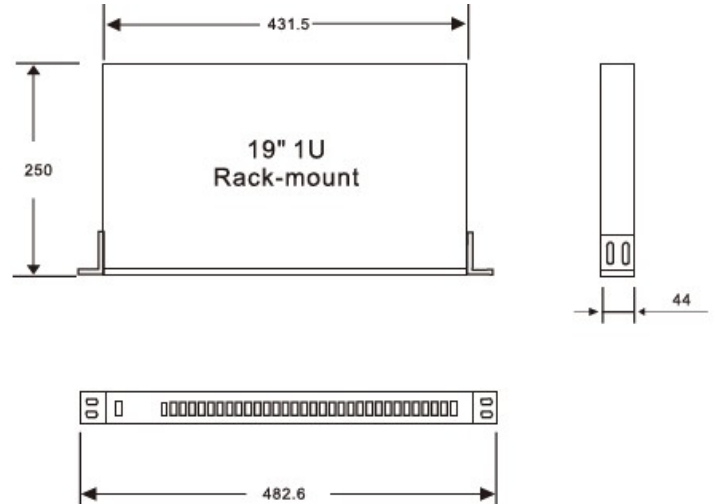




CWDM MUX+DEMUX Module 8 Channels (Dual Fiber) with 1U 19 Rack Mount Box

CWDM are based on thin film filter technology. They can be used in high-power applications in WDM systems. The products adopt hermetic package craft and environmental stability. CWDM can solve the shortage of fiber and transparent transmission of business, and reduce the cost of network building. With low-cost low power consumption and small compact, it is widely used in metro aggregation and access layer to do transmission on a short time.

The products are Telcordia GR-1221/1209-CORE qualified, and RoHS compliant.



Features

- ◆ Low insertion loss
- ◆ Wide pass band
- ◆ High channel isolation
- ◆ High stability and reliability
- ◆ Epoxy free on optical path

Applications

- ◆ Line monitoring
- ◆ CWDM network
- ◆ Telecommunication
- ◆ Cellular Application
- ◆ Fiber optical amplifier

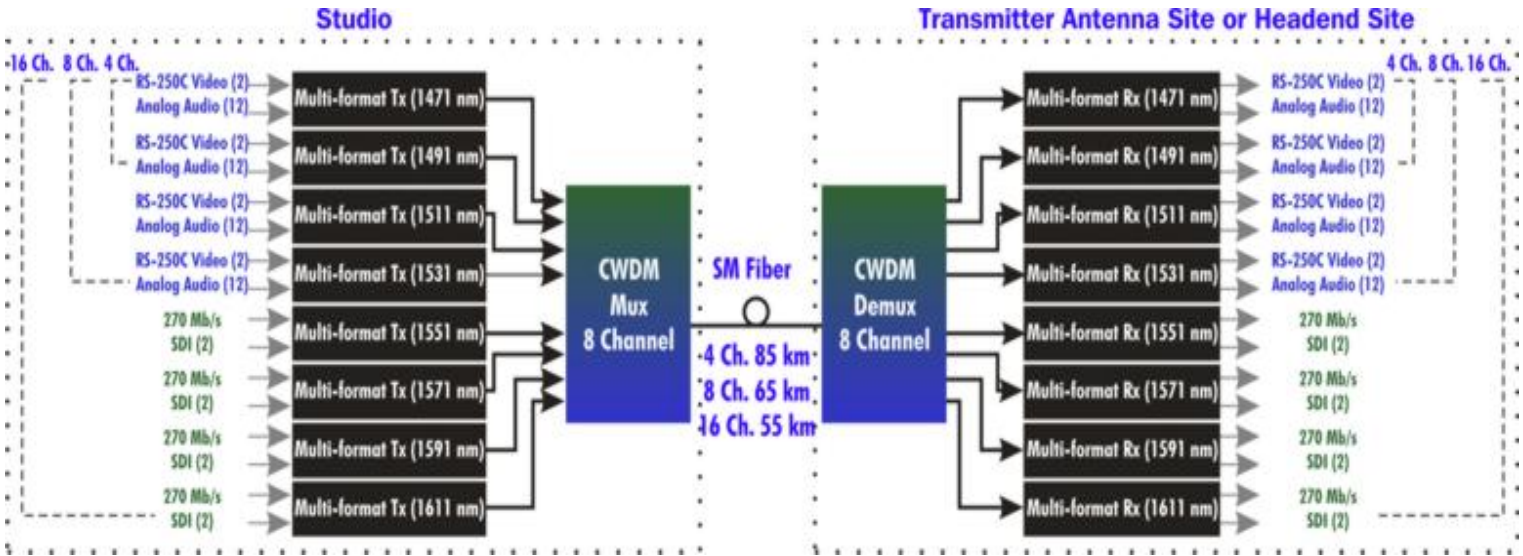
Performance Specifications

Parameter	CWDM
Operating Wavelength(Mux)	1470, 1490, 1510, 1530, 1550, 1570, 1590, 1610
Operating Wavelength(DeMux)	1470, 1490, 1510, 1530, 1550, 1570, 1590, 1610
Channel Number	16 Channel
Fiber Type	8 wavelengths
Channel spacing	SM 9/125
Center Wavelength Accuracy	20nm
Bandwidth at -0.5dB	+/-2nm
Insertion Loss(excluding connector loss)	≥ 15
Directivity	≤2.2 dB
Optical Input Return Loss	≥ 55dB
Adjacent Channel Isolation	≥ 45dB
Non-Adjacent Channel Isolation	≥ 30dB
Polarization Dependent Loss	≥ 40dB
Polarization mode dispersion	≤0.1 dB
Temperature Dependent Loss(0 to 70C)	≤0.1 ps
Optical Power Handling	≤0.45 dB
Operating Temperature	≥ 300mW
Storage Temperature	-10 to +70C
Connector Type	-40 to +85C
<i>Packaging Dimension</i>	8 pcs LC/UPC duplex + 1 pcs LC/UPC duplex adaptors(or other)
	19" 1U-height Patch panel

**Specifications may change without notice.

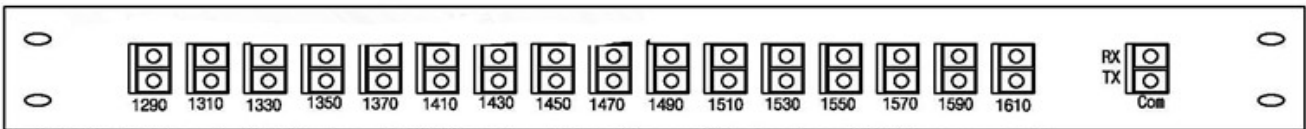


8 channel CWDM MUX+DEMUX in point to point application



19 Rack Mount Front View

16ch CWDM over two Fibers System



1u 19 Rack Mount-16 Duplex LC Adaptors (Mux+Demux)+1 Duplex LC Common port

8ch CWDM over two Fibers System



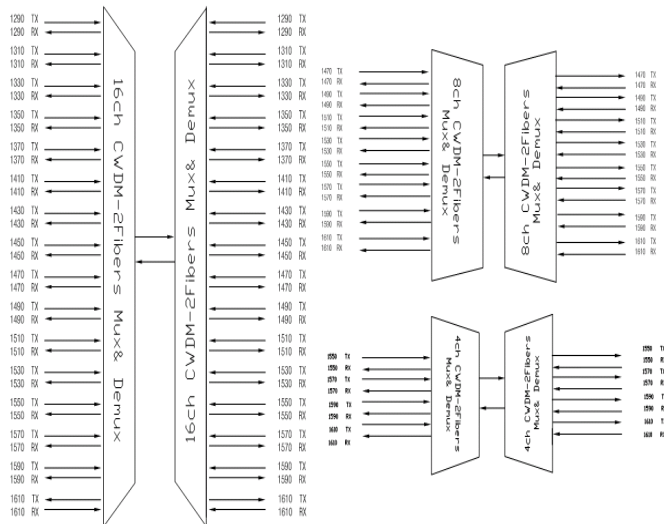
1u 19 Rack Mount-8 Duplex LC Adaptors (Mux+Demux)+1 Duplex LC Common port

4ch CWDM over two Fibers System



1u 19 Rack Mount-4 Duplex LC Adaptors (Mux+Demux)+1 Duplex LC Common port

Logical diagram for standard 4,8,16 ch Mux +Demux



8 channel assembling dialogue

