



SC Plug Type Fixed Attenuator

Plug Type Fixed Attenuator (male to Female) are used in optical systems where the optical power from a source is too high for the test equipment in use. The fixed plug in attenuator introduces an in-line fixed loss that will reduce the source power to an acceptable detection level. The attenuation level should be stable with temperature and wavelength for a stable reliable system.

The products are Telcordia GR-1221/1209-CORE qualified, and RoHS compliant.

Performance Specifications

| Item | Specifications |
|----------------------------|---|
| Wavelength | 1310 nm and 1550 nm (Single-Mode) |
| Attenuation Tolerance (dB) | 1-10dB \pm 1.0dB (typical) standard |
| | 11-25dB \pm 10% (typical) standard |
| | 1-10dB \pm 0.5dB (typical) premium |
| | 11-25dB \pm 5% (typical) premium |
| Return Loss | RL= -50dB (UPC) RL= -60dB (APC) |
| PDL | <0.1dB |
| Operating Temperature | -40°C~+75°C |
| Storage Temperature | -40°C~+75°C |

| Item | Specifications |
|----------------------------|---|
| Wavelength | 850 nm (Multi-Mode 50/125um) |
| Attenuation Tolerance (dB) | 2dB,5dB,10dB \pm 1.0dB (typical) standard |
| | 15dB \pm 10% (typical) standard |
| | 2dB,5dB,10dB \pm 0.5dB (typical) premium |
| | 15dB \pm 5% (typical) premium |
| Return Loss | / |
| Operating Temperature | -40°C~+75°C |
| Storage Temperature | -40°C~+75°C |

Features

- ◆ Metal-Ion Doped Fiber (continuous)
- ◆ Simple and Reliable Structure
- ◆ Durability (well over 1 W) (EDFA)
- ◆ Wavelength Independent (DWDM)
- ◆ Low PDL (<0.1dB)
- ◆ Low Polarization Dependence
- ◆ Bellcore Compliant (GR-910-CORE)

Applications

- ◆ Telecommunication Networks
- ◆ CATV & LAN
- ◆ Data Networks
- ◆ Passive Optical Networks

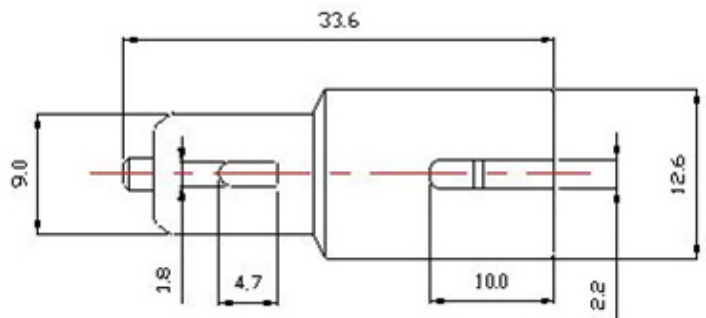
Order information

PFA-①①-②②-③③

| ①① | ②② | ③③ |
|--|---|----------------------------------|
| Operating Wavelength | Attenuate Value | Coupling Type |
| 13:1310nm 15:1550nm 35:1310/1550nm 85:850nm (50/125) | 20:20dB 15:15dB 10:10dB 05:5dB 03:3dB | 00:None SC:SC/PC SA:SC/APC |

Appearance & Dimension

LC/PC Plug Type Fixed Attenuator



LC/APC Plug Type Fixed Attenuator

