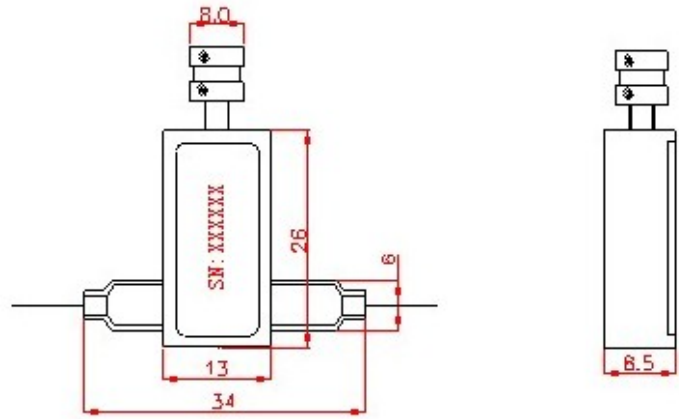




Manual Variable Optical Attenuators

Variable Optical Attenuators (VOA) With Epoxy-free Optical Path have low insertion loss, High return loss and Low PDL. They can be used for power control and equalization for WDMs, FTTx, CATV and Test & Measurement instruments. These will be a powerful solution for the market demand of cost-effective system.



Features

- ◆ Low Insertion Loss & PDL
- ◆ High Return Loss
- ◆ High Stability & Reliability
- ◆ Low Cost
- ◆ Epoxy Free Optical Path
- ◆ PC Board Mountable

Applications

- ◆ Optical Power Control and Equalization in Multi-Channel Systems
- ◆ Telecommunication Systems
- ◆ CATV/FTTx
- ◆ WDM Systems
- ◆ OADM and OXC
- ◆ Fiber Optic Instruments

Performance Specifications

Parameters	Specifications
Operating Wavelength Range(nm)	1290 ~ 1625
Insertion Loss (IL)(dB)	≤1.0
Attenuation Range(dB)	0~55
Attenuation Resolution @10dB((dB)	≤0.2 @10dB
Attenuation Resolution @10-55dB(dB)	≤0.3 @10-55dB
Polarization Dependent Loss (PDL) (dB)	≤0.1 @10dB
Return Loss (dB)	≥50 Without Connector
Fiber Type	SMF-28e or Customer specified
Tensile Load(N)	≤5
Maximum Power(mW)	500
Operation Temperature(°C)	-5 ~ +75°C
Storage Temperature(°C)	-40°C ~ +85°C
Package Dimension(mm)	26×13×8.5

**Specifications may change without notice.

Order information

VOA-①①-②-③③-④④-⑤⑤

①①	②	③③	④④	⑤⑤
Operating Wavelength	Fiber Type	Fiber Diameter	Fiber Length	Connector
13:1310nm 15:1550nm XX: Others	S:SM fiber X:Others	25:250um 90:900um 20:2.0mm 30:3.0mm XX: Others	05:0.5m 10:1.0m 15:1.5m XX:Others	00:None FP: FC/PC FA: FC/APC SP: SC/PC SA: SC/APC LP: LC/PC LA: LC/APC ST: ST/PC XX: Others