



Coarse Wavelength Division Multiplexer Module

CWDM are based on thin film filter technology. They can be used in high-power applications in WDM systems. The products adopt hermetic package craft and environmental stability. CWDM can solve the shortage of fiber and transparent transmission of business, and reduce the cost of network building. With low-cost low power consumption and small compact, it is widely used in metro aggregation and access layer to do transmission on a short time.

The products are Telcordia GR-1221/1209-CORE qualified, and RoHS compliant.

Features

- ◆ Low insertion loss
- ◆ Wide pass band
- ◆ High channel isolation
- ◆ High stability and reliability
- ◆ Epoxy free on optical path

Applications

- ◆ Line monitoring
- ◆ WDM network
- ◆ Telecommunication
- ◆ Cellular Application
- ◆ Fiber optical amplifier
- ◆ Access Network



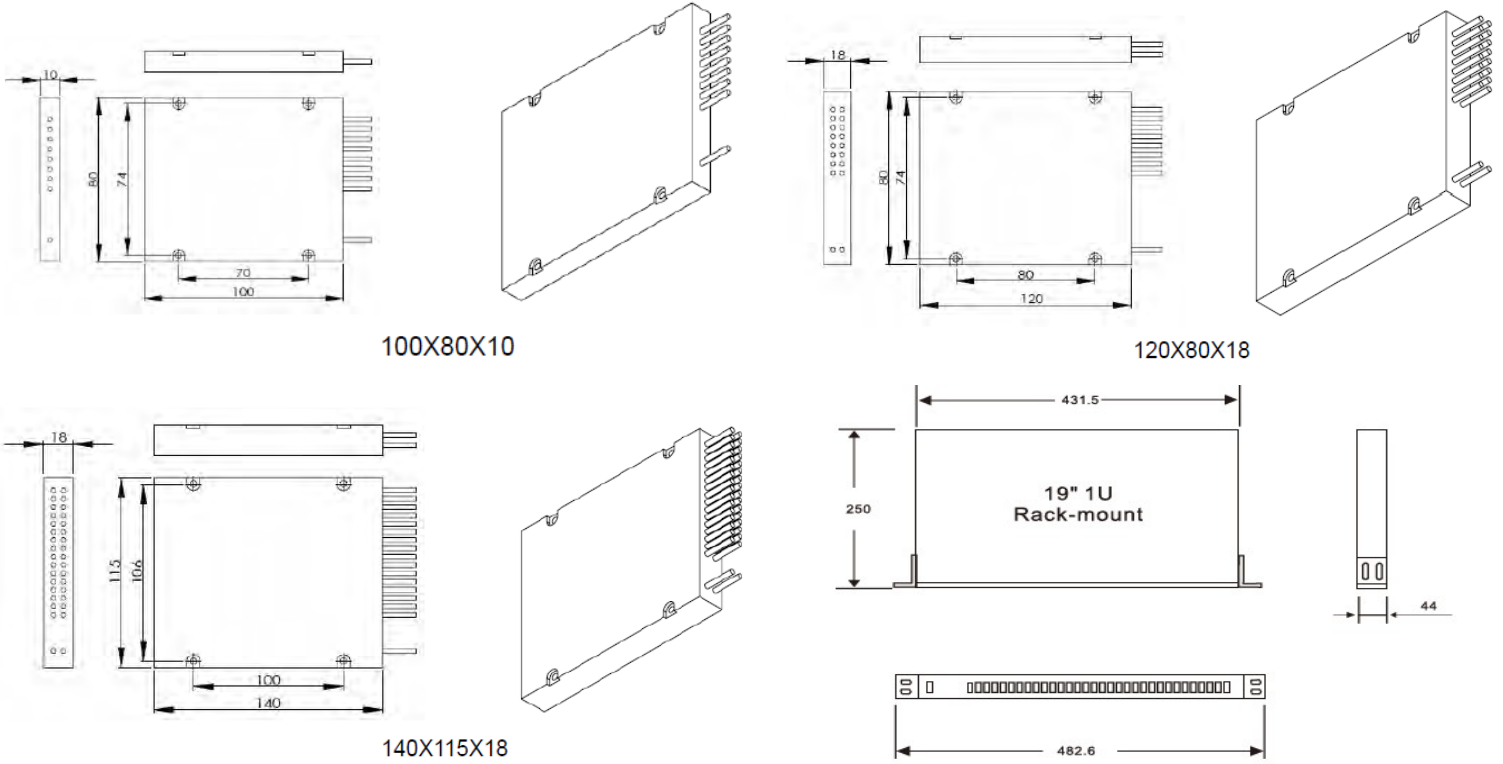
Performance Specifications

Parameter	CWDM								
Channel No.(λ)	2	3	4	5	6	7	8	9	
Max Insertion Loss(dB)	0.8	1.0	1.4	1.8	2.2	2.6	3.0	3.4	
Operating Wavelength(nm)	1310,1470,1490,1510,1530,1550,1570,1590,1610								
Passband width(nm)	±6.5								
Channel Spacing(GHz)	20								
Pass band flatness(dB)	≤0.5								
Adjacent channel isolation(dB)	≥30								
Non-adjacent channel isolation(dB)	≥45								
Wavelength thermal stability(nm/°C)	<0.002								
Insertion loss thermal stability(dB/°C)	≤0.005		≤0.005				≤0.007	≤0.008	
Return loss(dB)	≥45								
Polarization mode dispersion(ps)	≤0.10		≤0.10				≤0.15	≤0.15	
Polarization Dependent Loss(dB)	≤0.10		≤0.15				≤0.20	≤0.25	
Directivity(dB)	≥50								
Max Power Handling(mW)	500								
Operating Temperature(°C)	-10~+70								
Storage Temperature(°C)	-40~+85								
Package Dimension(nm)	100×80×10.5								
Remark	1.16 channels WDM (wavelength from 1270nm-1610nm) can be customized 2. Rack-mounted customization is available								

**Specifications may change without notice.



Package Dimension



Order information

CWDM-①-②②②②-③-④-⑤⑤-⑥⑥-⑦⑦

①	②②②②	③	④	⑤⑤	⑥⑥	⑦⑦
1×N	Wavelength	Package spec	Fiber Type	Fiber Diameter	Fiber Length	Connector
N=1	1270 nm	1:Φ5.5mm×34mm	9: 9/125	25:250um	05:0.5m	00:None
N=2	1290 nm	2:Φ5.5mm×35.4mm	X:Others	90:900um	10:1.0m	FP: FC/PC
...	1310 nm	3:90×20×10 mm		20:2.0mm	15:1.5m	FA: FC/APC
N=16	...	4:00×80×10.5 mm		30: 3.0mm	XX:Others	SP: SC/PC
	1570 nm	5:120×80×18 mm		XX: Others		SA: SC/APC
	1590 nm	6:140×115×18 mm				ST: ST/PC
	1610 nm	7:1U				LP: LC/PC
		X:Others				LA: LC/APC
						XX: Others

