

100GHz DWDM Mux/Demux Packed in LGX/19"

Key Features

- 100GHz ITU channel spacing
- Low insertion loss
- High channel isolation
- Excellent environmental reliability
- Scalability to grow fiber capacity with little or no increased cost
- Protocol Transparent
- Simple to install and use

Applications

- Channel add / drop
- DWDM network
- Wavelength routing
- Fiber optical amplifier
- Metro-Core, Metro-Access and Enterprise Networks
- Enterprises with Fiber Infrastructure
- Networks requiring ATM, Escon, Fiber Channel & Gigabit Ethernet Simultaneously
- Mirroring/Replicating data to Disaster Recovery Sites

100GHz DWDM Mux/Demux utilizes thin film coating technology and proprietary design of non-flux metal bonding micro optics packaging to achieve optical add and drop at the ITU wavelengths. It provides ITU channel center wavelength, low insertion loss, high channel isolation, wide pass band, low temperature sensitivity and epoxy free optical path. It can be used for wavelength add/drop in telecommunication network system.

Increase your fiber capacity to easily and quickly using our reliable and economical 4-CH 100GHz DWDM Mux/Demux multiplexers. These standalone multiplexers increase single fiber capacity to 4 channels and can be used with any manufacturer's DWDM GBIC, SFP, XFP, Xenpak. No power cabling and no configuration required. Just install in a rack and connect the fibers, then its ready to work for you!

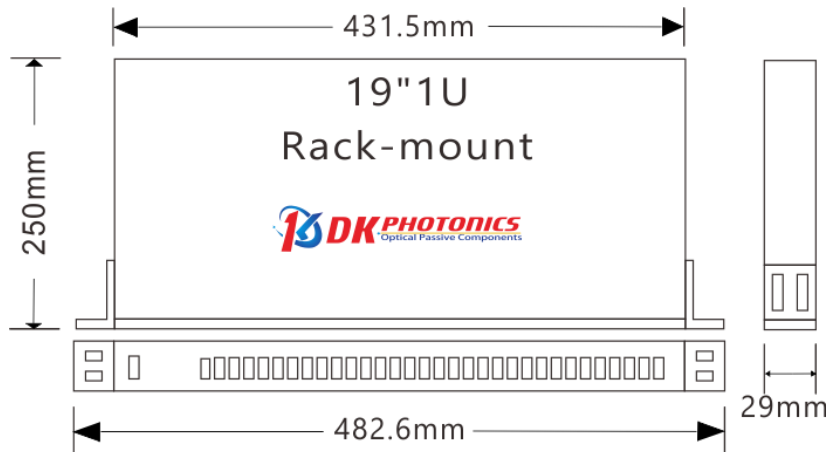
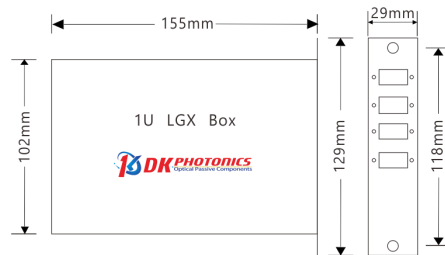
Our DWDM Mux/Demux products provide up to 32-channel Multiplexing on a single fiber.

Standard DWDM Mux/Demux package type include: ABS box package, LGX package and 19" 1U rack-mount.

Our DWDM products are Telcordia qualification tested.



Package Dimension:



For more Info

Please contact us at:

Tel: +86-755-23736280

Fax: +86-755-26746512

E-mail: sales@dkphotonics.com

<https://www.dkphotonics.com>

Add.:

4F, Bldg. 18, Qinghu Industrial Park,

Dahe Road, Longhua Dis.,

Shenzhen, China 518109

*Due to ongoing design improvements, the package size is subject to change. Please contact DK Photonics for confirmation if you have special requirements.



100GHz DWDM Mux/Demux Packed in LGX/19"

Performance Specifications

Parameter	Unit	Values								
Channel	-	4 channels		8 channels		16 channels		32 channels		
Configuration	-	MUX	DEMUX	MUX	DEMUX	MUX	DEMUX	MUX	DEMUX	
Channel Wavelength	nm	ITU 100 GHz Grid								
Center Wavelength Accuracy	nm	± 0.05								
Channel Spacing	GHz	100 (0.8nm)								
Channel Passband (@-0.5dB bandwidth)	nm	≥0.22								
Insertion Loss	dB	≤1.6		≤2.5		≤3.5		≤5.5		
Channel Uniformity	dB	≤0.6		≤1.0		≤1.5		≤2.0		
Channel Ripple	dB	≤0.3		≤0.3		≤0.3		≤0.3		
Isolation @Add/ Drop Channel	Adjacent	dB	N/A	>30	N/A	>30	N/A	>30	N/A	>30
	Non-adjacent	dB	N/A	>40	N/A	>40	N/A	>40	N/A	>40
Insertion Loss Temperature Sensitivity	dB/°C	≤0.005								
Wavelength Temperature Shifting	nm/ °C	≤0.002								
Polarization Dependent Loss	dB	≤0.1								
Polarization Mode Dispersion	ps	≤0.1								
Directivity	dB	>50								
Return Loss	dB	>45								
Maximum Power Handling	mW	500								
Operating Temperature	°C	-5 ~+75								
Storage Temperature	°C	-40 ~+85								
Package Dimension	LGX	mm	1U(155x129x29)				2U (155x129x58)			
	19" Rack		1U(L482.6xW165xH44 or Specify)							

1. The above specification is without connector.
2. IL is 0.3 dB higher and RL is 5 dB lower for each connector added.
3. Channel count is from low to high for mux and high to low for demux if mux & demux are packaged in one cassette.
4. Other specifications can be made on customer request.

Order information

P/N: DWDM-10-①-②-③-④-⑤-⑥-⑦

When you inquire, please provide the correct P/N number according to our ordering information, and attach the appropriate description would be better. If need any connector, we do not recommend choosing a 250µm bare fiber pigtail.

10	①	②	③	④	⑤	⑥
Channel Spacing	Channel	Configuration	1st Channel	Express Port	Package Type	Connector
10:100GHz	4:4 Channel 8:8 Channel 16:16 Channel 32:32 Channel	M:Mux D:DeMux O:Mux&Demux	C21:1560.61nm C22:1559.79nm C23:1558.98nm	0:No Express 1: W/Express	L:LGX box R:19" Rack	00:None FP: FC/PC FA: FC/APC SP: SC/PC SA: SC/APC ST: ST/PC LP: LC/PC LA: LC/APC XX: Others

Part Number Example: DWDM-10-4-D-C21-0-L-LP

Description: 100GHz 4 Channel DWDM DeMux Module Packed in LGX Box, C21~C24, no express, LC/PC connectors at all ports.

Ordering Information for Custom Parts

If you need to customize other specifications, please provide detailed description for your requirement.